



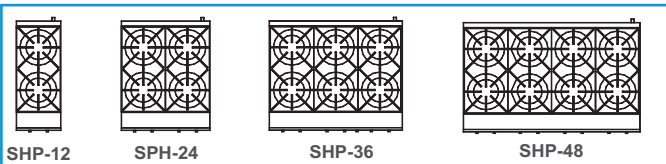
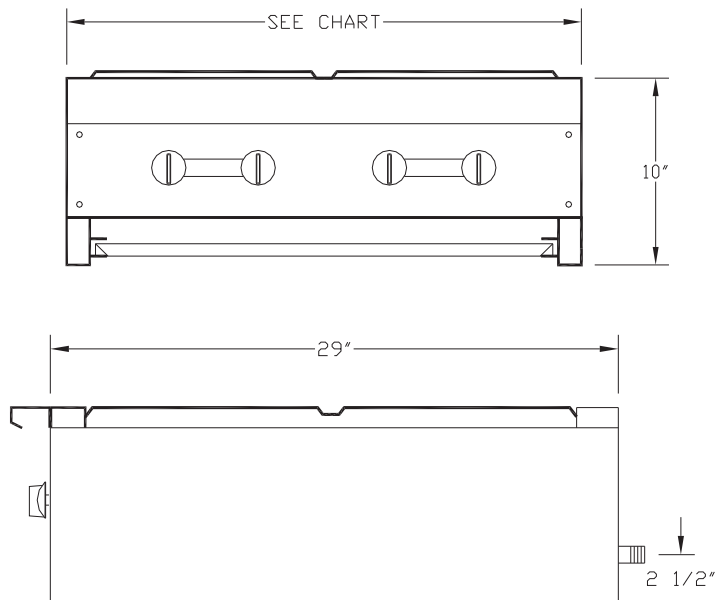
Stratus hot plates are designed for rugged use and long life. They are engineered with advanced features for optimal performance. They maximize valuable kitchen space and satisfy the most demanding cleaning requirements while assuring low operating and maintenance costs. The heavy duty cast iron top grates and large plate ledge, complement the work space. Models ranging from one to ten open burners. Stratus' Countertop Line-up offers a complete selection of components for chefs who want something special in gas cooking equipment.



Model: SHP-24

STANDARD FEATURES

- Stainless steel front, ledge and sides.
- Double side panels for better insulation.
- Stainless steel 3" landing ledge provides extra work space
- Heavy duty cast iron burner, rated at 26,000 btu/hr.
- Cast iron rear and front venturies.
- All burners are equipped with continuous anti-clogging pilots for instant ignition.
- Manual control for each burner.
- 12" x 24" cast iron top grates. Cast in bowl directs heat upward.
- Grate design allows pots to slide pans easy from section to section.
- One top grate for every two burners.
- Full width removable crumb pan.
- 4" appliance legs are optional.
- Available in 12", 24", 36", 48" and 60" wide models.
- One year parts and labor warranty.
- U.L. gas and U.L. sanitation certified design.



Gas: 3/4" NPT rear gas connection, specify type of gas and altitude if over 2,000 feet.
 Pressure: 5" W.C. - Natural Gas
 10" W.C. - Propane Gas
 Note: Install the pressure regulator supplied with the appliance, at the inlet of the gas line.

Model	Description	Length	Depth	Height	Weight	Total BTU's	List Price
SHP - 12	(2) Two Burners Hot Plate	12"	29"	10"	80 lbs.	52,000	\$650.75
SHP - 24	(4) Four Burners Hot Plate	24"	29"	10"	140 lbs.	104,000	\$926.25
SHP - 36	(6) Six Burners Hot Plate	36"	29"	10"	230 lbs.	156,000	\$1,296.75
SHP - 48	(8) Eight Burners Hot Plate	48"	29"	10"	310 lbs.	208,000	\$1,947.00