



Stratus Stock Mandarin Jet Ranges provide as standard, many of the optional upgrades normally offered at a premium on other Stock Pot lines.

Constructed for durability they are made of heavy gage steel with a sturdy chassis design.

The 18 Tip Jet burner provides a total of 120,000 BTU/hr output for high performance cooking in a wide variety of applications.

For quick clean ups, a full width removable drip tray is standard.

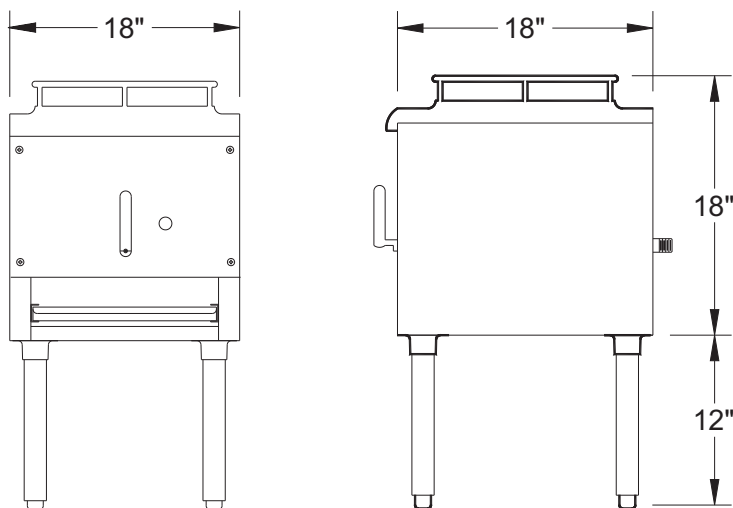
The top cylinder has a gradual slope to reduce spill over and will accommodate any size pot.



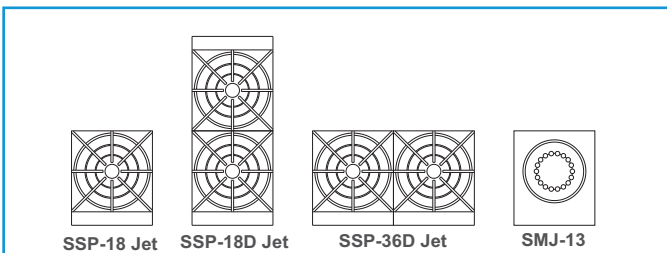
Model: SMJ-13

**STANDARD FEATURES**

- Stainless steel front, sides and cabinet.
- Heavy duty cast iron top grates are easily removable for cleaning. Inner bowl slope design reduces spill over.
- 18 Tip Jet Burner with an adjustable gas valve, provides flexibility and 120,000 BTU/hr high performance cooking.
- Heavy duty welded top cylinders (13" or 15").
- Sturdy stainless cabinet base provides additional storage.
- 12" Stainless Steel legs with adjustable feet are standard.
- Full width removable crumb pan.
- One year parts and labor warranty.



18 Tip Jet Burner



Gas: 3/4" NPT rear gas connection, specify type of gas and altitude if over 2,000 feet.

Pressure: 5" W.C. - Natural Gas  
10" W.C. - Propane Gas

Note: Install the pressure regulator supplied with the appliance, at the inlet of the gas line.

Model	Description	Length	Depth	Height	Weight	Total BTU's	List Price
SMJ-13	13" Mandarin Jet	18"	21"	30"	135 lbs.	120,000	\$1,202.00
SMJ-15	15" Mandarin Jet	18"	21"	30"	135 lbs.	120,000	\$1,202.00
SSP-18 Jet	18" Stock Pot Jet	18"	21"	24"	145 lbs.	120,000	\$1,059.00
SSP-18 Jet	18" Double Stock Pot Jet	18"	40"	24"	250 lbs.	240,000	\$2,677.00